

# DESIGNER SERIES

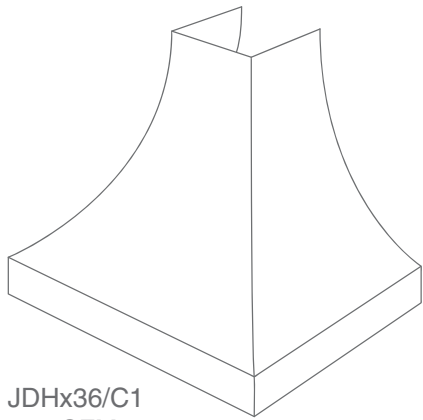


FINISH: ANTIQUED HAMMERED COPPER  
OPTIONS: 1/4" X 1" HEAVY COPPER LIP BAND ATTACHED WITH RIVETS  
SHOWN WITH LYNN SEARS DESIGNER LIP TREATMENT

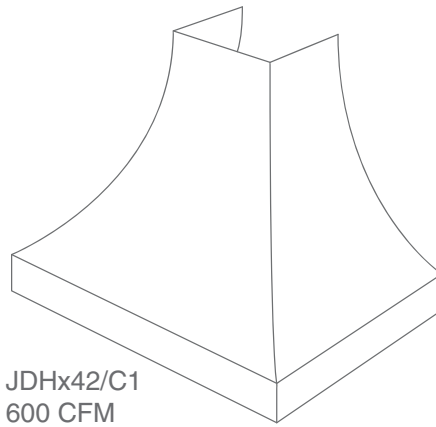
JDH/C1 SERIES

*VentA Hood*

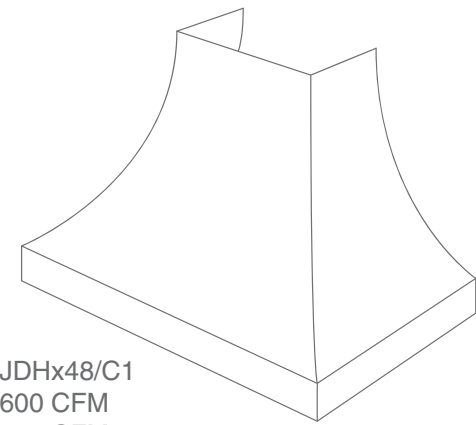
Build your own at [ventahood.com](http://ventahood.com)



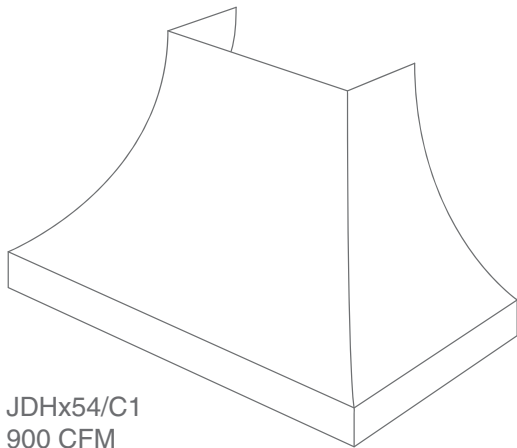
JDHx36/C1  
600 CFM



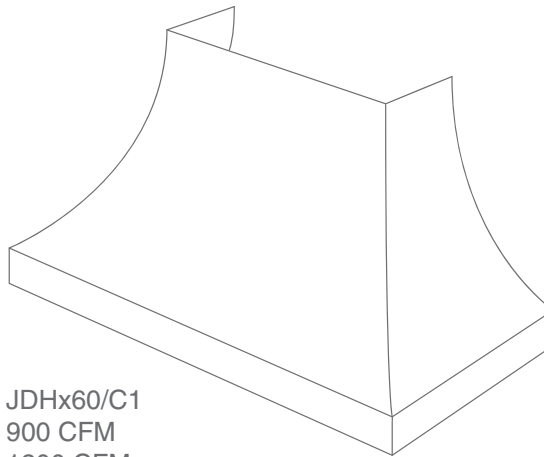
JDHx42/C1  
600 CFM



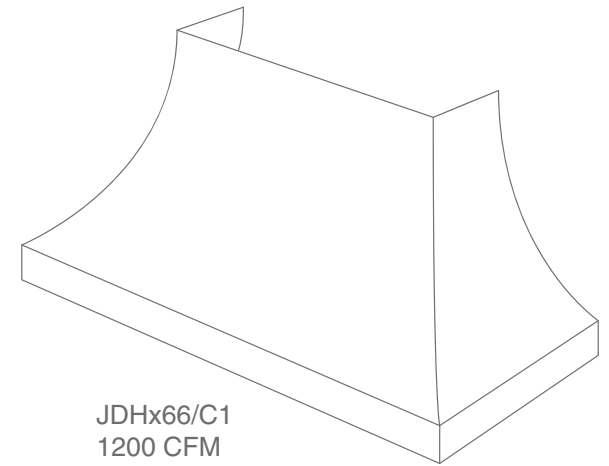
JDHx48/C1  
600 CFM  
900 CFM



JDHx54/C1  
900 CFM  
1200 CFM



JDHx60/C1  
900 CFM  
1200 CFM



JDHx66/C1  
1200 CFM

### MECHANICAL SPECIFICATIONS

Model Number	Dimensional Information						Blower Configurations		
	Width	Depth	Height	Lip	Top Width	Top Depth	600 CFM	900 CFM	1200 CFM
JDHx36/C1	36	24	30	6	12	12	Yes	No	No
JDHx42/C1	42	24	30	6	15	12	Yes	No	No
JDHx48/C1	48	24	30	6	21	12	Yes	Yes	No
JDHx54/C1	54	24	30	6	27	12	No	Yes	Yes
JDHx60/C1	60	24	30	6	33	12	No	Yes	Yes
JDHx66/C1	66	24	30	6	39	12	No	No	Yes

Hoods are available with halogen lights (2 lights: 36" - 41", 3 lights: 42" - 53", 4 lights: 54" - 66"). Because the Magic Lung® blower uses centrifugal filtration rather than conventional baffle or mesh filters, the Magic Lung® blower can handle cooking equipment with higher cubic feet per minute (CFM) requirements and can deliver equivalent CFM much more efficiently than other than other filtration systems. When comparing the Magic Lung® with other blower units made by other manufacturers, use the "Equivalent CFM".