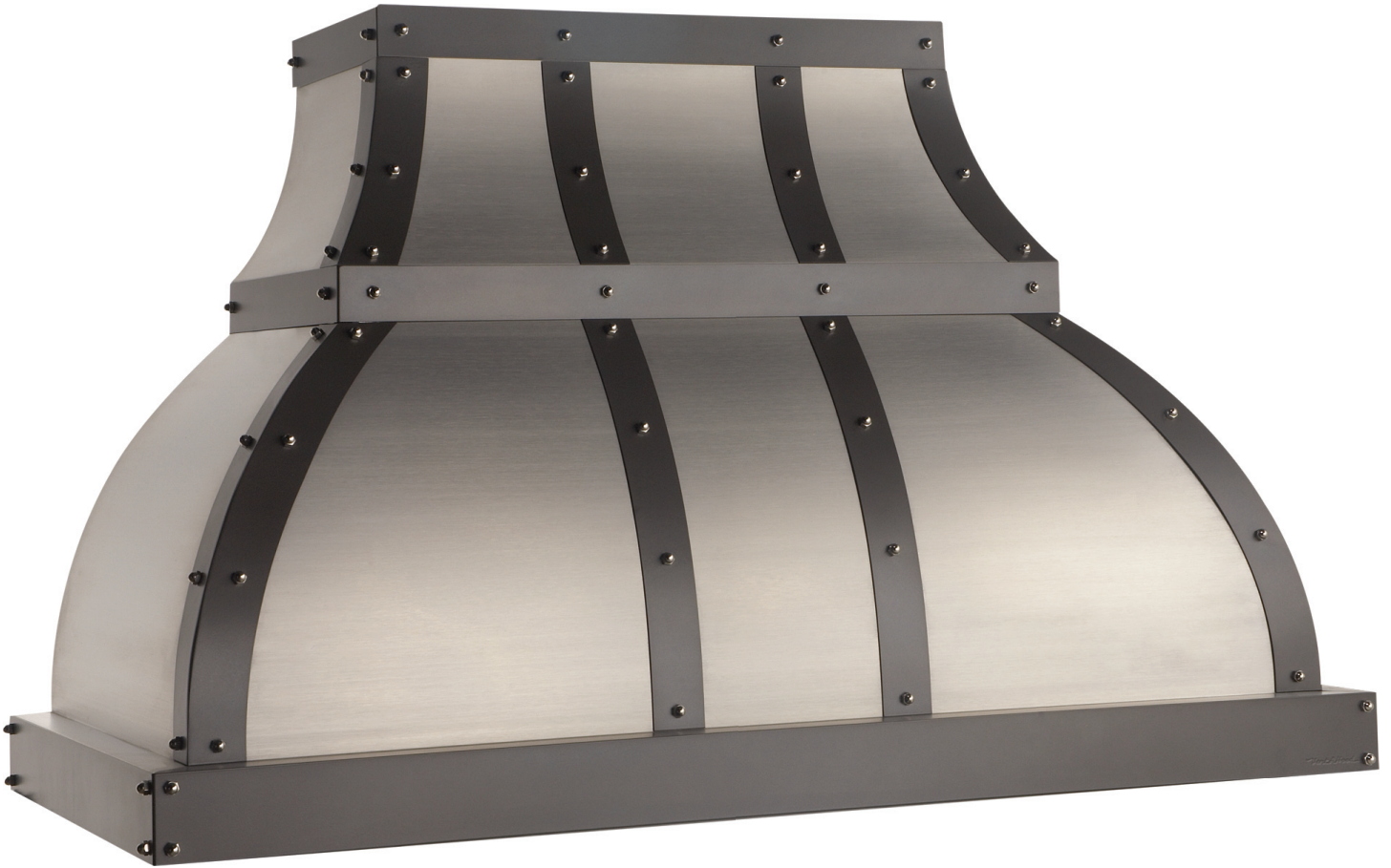


# DESIGNER SERIES



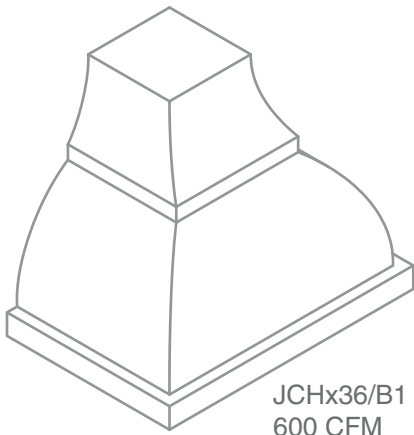
FINISH: STAINLESS STEEL

OPTIONS: OIL-RUBBED BRONZE OR PEWTER, LIP TREATMENTS AND CORNER BANDS ATTACHED WITH SS HEX NUTS

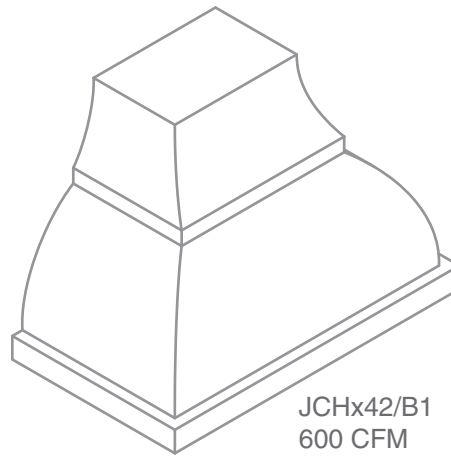
JCH/B1 SERIES

*VentA Hood*

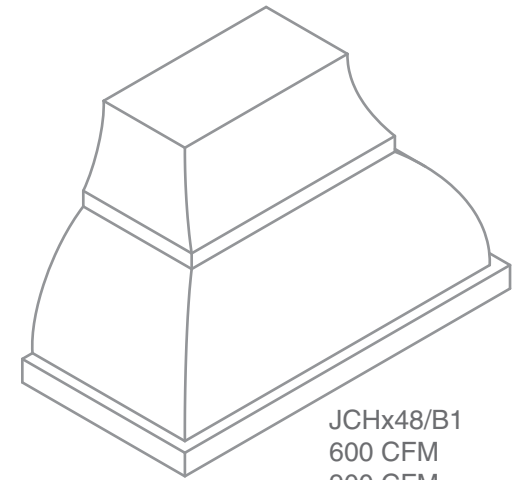
Build your own at [ventahood.com](http://ventahood.com)



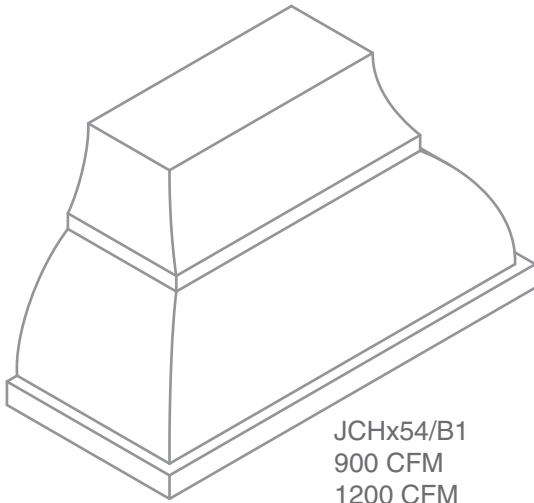
JCHx36/B1  
600 CFM



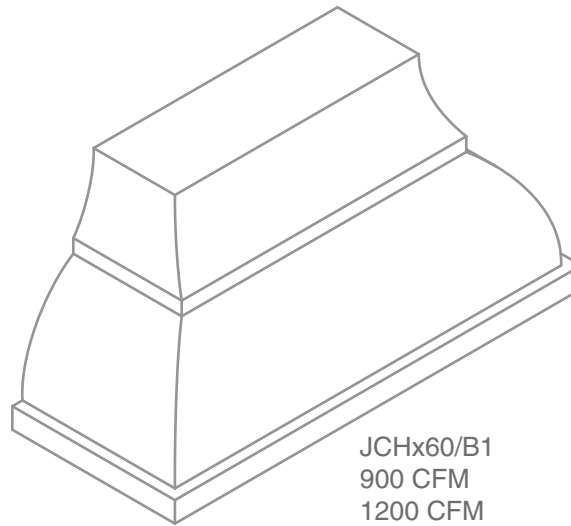
JCHx42/B1  
600 CFM



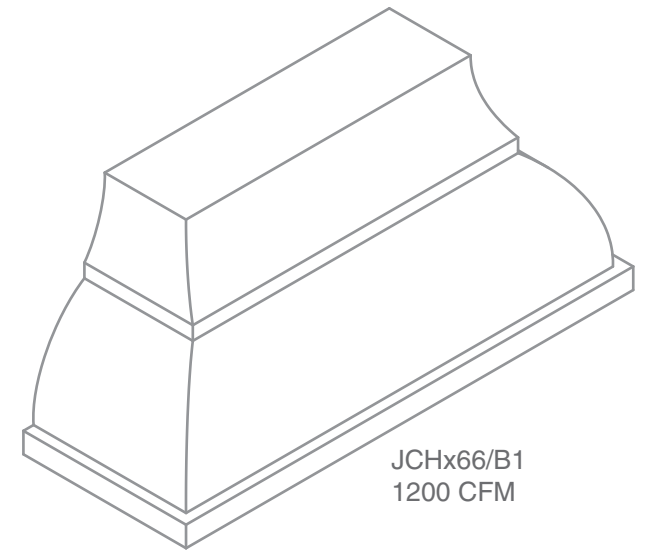
JCHx48/B1  
600 CFM  
900 CFM



JCHx54/B1  
900 CFM  
1200 CFM



JCHx60/B1  
900 CFM  
1200 CFM



JCHx66/B1  
1200 CFM

### MECHANICAL SPECIFICATIONS

Total combined height 30" on all models shown. For variations, please call for custom pricing. Hoods and duct covers sold separately.

Model Number	Dimensional Information											Blower Configurations		
	Hood Width	Hood Depth	Hood Height	Lip	Offset	Hood Top Width	Hood Top Depth	Duct Cover Height	Duct Cover Lip	Duct Cover Top Width	Duct Cover Top Depth	600 CFM	900 CFM	1200 CFM
JCHx36/B1	36	24	18	3	1.5	18	16	12	2	12	12	Yes	No	No
JCHx42/B1	42	24	18	3	1.5	24	16	12	2	18	12	Yes	No	No
JCHx48/B1	48	24	18	3	1.5	30	16	12	2	24	12	Yes	Yes	No
JCHx54/B1	54	24	18	3	1.5	36	16	12	2	30	12	No	Yes	Yes
JCHx60/B1	60	24	18	3	1.5	42	16	12	2	36	12	No	Yes	Yes
JCHx66/B1	66	24	18	3	1.5	48	16	12	2	42	12	No	No	Yes

Hoods are available with halogen lights (2 lights: 36" - 41", 3 lights: 42" - 53", 4 lights: 54" - 66"). Because the Magic Lung® blower uses centrifugal filtration rather than conventional baffle or mesh filters, the Magic Lung® blower can handle cooking equipment with higher cubic feet per minute (CFM) requirements and can deliver equivalent CFM much more efficiently than other than other filtration systems. When comparing the Magic Lung® with other blower units made by other manufacturers, use the "Equivalent CFM".